



TBi 7W Carbon

MIG Brazing and Welding of Al, Mg, Zn

Gas nozzle is precisely held by a sleeve nut

Special-use torch for "cold" arcs

Technical data

MIG/MAG (GMAW) semi-automatic welding torch TBi 7W Carbon

Rating at 100% duty cycle
(10 min. cycle)

- Mixed gas: 240 A with graphite contact tip
400 A with Cu contact tip

Cooling method water cooling

Wire diameter 0.8 / 1.0 / 1.2 mm


Gas flow 15 l/min

Technical specification according to IEC 60974-7

Weight with 1.5 m cable 1.60 kg

Connection Euro-Central connector, other connectors (z.B. CLOOS®, ESAB®, Lincoln®, Rehm®) available upon request.

Torch rating will be reduced when using pulsed-arc power sources. Special torch necks and custom lengths of the cable assembly are available upon request.

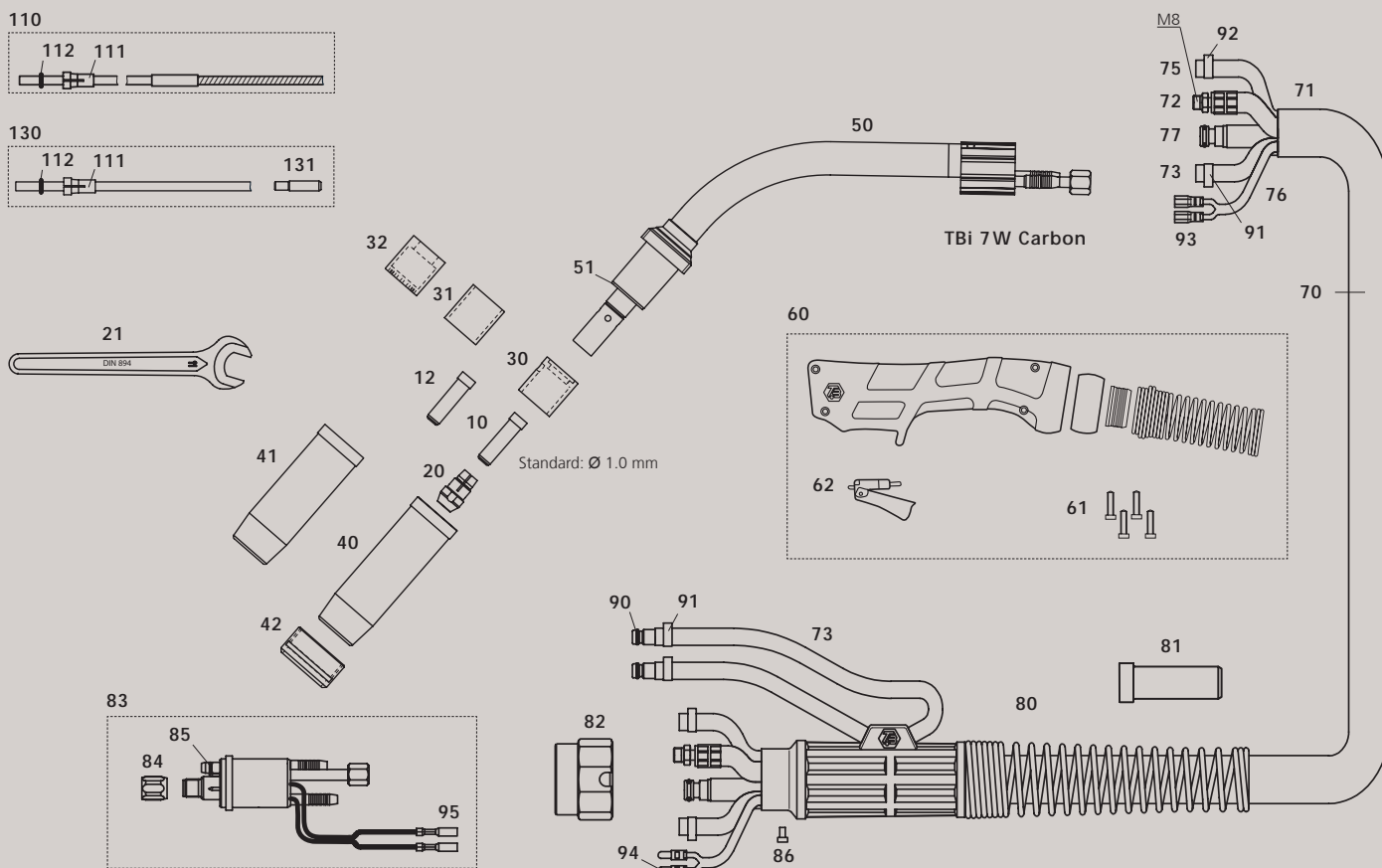


The graphite contact tip is reliably held in a collet

Ordering information

TBi 7W Carbon ESW, 50° bent 174PC415_0*

* At the blank, please insert 3, 4 or 5 for a torch length of 3, 4 or 5m.



Pos.	Description	Part. No.	Pos.	Description	Part. No.
Contact tips					
▶ 10	Graphite contact tip	340P_C701*	83	Central adaptor ESW cpl., moveable pins (Top 2000)	701P101006
10	Contact tip CuCrZr	343P_3701*	84	Sleeve nut M10x1	701P002005
20	Collet	174P102015	85	O-ring 4.0x1.0 mm (gas nipple)	365P100040
21	Open end wrench, size 11 mm	391P102021	86	Slotted screw M4x6	100P008401
Nozzle insulators					
▶ 30	Nozzle insulator ceramic	346P014661	90	Quick connector	701P002064
31	Nozzle insulator glasfiber	346P054860	91	Hose clamp 9.5 with ring	373P100095
32	Nozzle insulator gas-lens	346P015174	92	Hose clamp 8.7	371P000087
Gas nozzles					
▶ 40	Gas nozzle con., L=75.5 mm	345P012174	93	Cable lug, flat	375P000023
41	Gas nozzle con., L=71 mm, for short arc	345P012274	94	Insulated connector, male, round	375P000004
42	Sleeve nut for gas nozzle	174P102018	95	Insulated connector, female, round	375P000003
Spare parts					
50	Torch neck TBi 7W Carbon, 50 (long)	174P101009	Wire guides		
51	Insulating washer	130P002004	▶ 110	PA-Alu wire guide (x.50 m) for wire 1.0-1.2	328P2040_A*
60	Handle blue, watercooled, cpl. kit	380P220401	110	PA-Alu wire guide (x.50 m) for wire 1.2-1.6	328P2347_A*
61	Cross recessed screw M3.5x14	100P008413	111	Collet for teflon and PA liner 4.0 mm	331P020040
62	Trigger, red, 2 poles	385P021016	111	Collet for teflon and PA liner 4.7 mm	331P027047
70	Cable assembly TBi Top 2000, 2-C	171P4B45_0*	112	O-ring 3.50x1.50 mm (teflon liner)	365P150035
71	Fabric outer cover 25x1.5 mm, cpl.	307P2528_A*	Special wire guides		
72	Water-power cable Top 2000, blue, 2-C	316P1622_0*	130	Wire guide set Carbon (x.5 m), yellow, for wire 0.8-1.2 mm	326P2747_C*
73	Water hose 2-C, black, 5x1.5 mm	303P070000	131	Wire guide tip	174P102106
75	PVC-Gas hose, black 4.5x1.5 mm	302P010000			
76	Control cable x.30 m cpl.	301P2304_0*			
77	Wire conduit yellow (Top 2000)	356P0C0C_0*			
80	Cable support 3 parts cpl. with spring	701P101071			
81	Cable support 70 sqmm	600P002107			
82	Adaptor nut	701P001013			

▶ = Standard equipment

* At the blank, please insert suitable information for torch length or wire diameter, e.g. 08 for 0.8 mm or 3 for 3 m.

© 2009 TBI Industries GmbH. All rights reserved. Subject to change without notice. Warranty only when using original TBI consumables and spare parts. Excerpts and reprints not permitted. Nr. DOKP151012, 07/2009.

TBI Industries GmbH
Ruhberg 14
D-35463 Fernwald-Steinbach
P.O. Box 67
D-35461 Fernwald-Steinbach

Tel. + 49 6404 9171-0
Fax. + 49 6404 9171-40
Internet: www.tbi-industries.com
E-mail: info@tbi-industries.com