



## Classic TBI 240 E3

Air cooled

Same consumables as TBI 240

Slip-on fume shroud

### Technical data

MIG/MAG semi-automatic fume extraction welding torch TBI 240 E3

Rating at 60% duty cycle  
(10 min. cycle)

- Mixed gas: 235 A  
- CO<sub>2</sub>: 265 A

Cooling method air cooling

Wire diameter 0.8 - 1.2 mm

Gas flow 12 l/min

Technical specification according to IEC 60974-7

Weight with 1.5m cable 1.40 kg

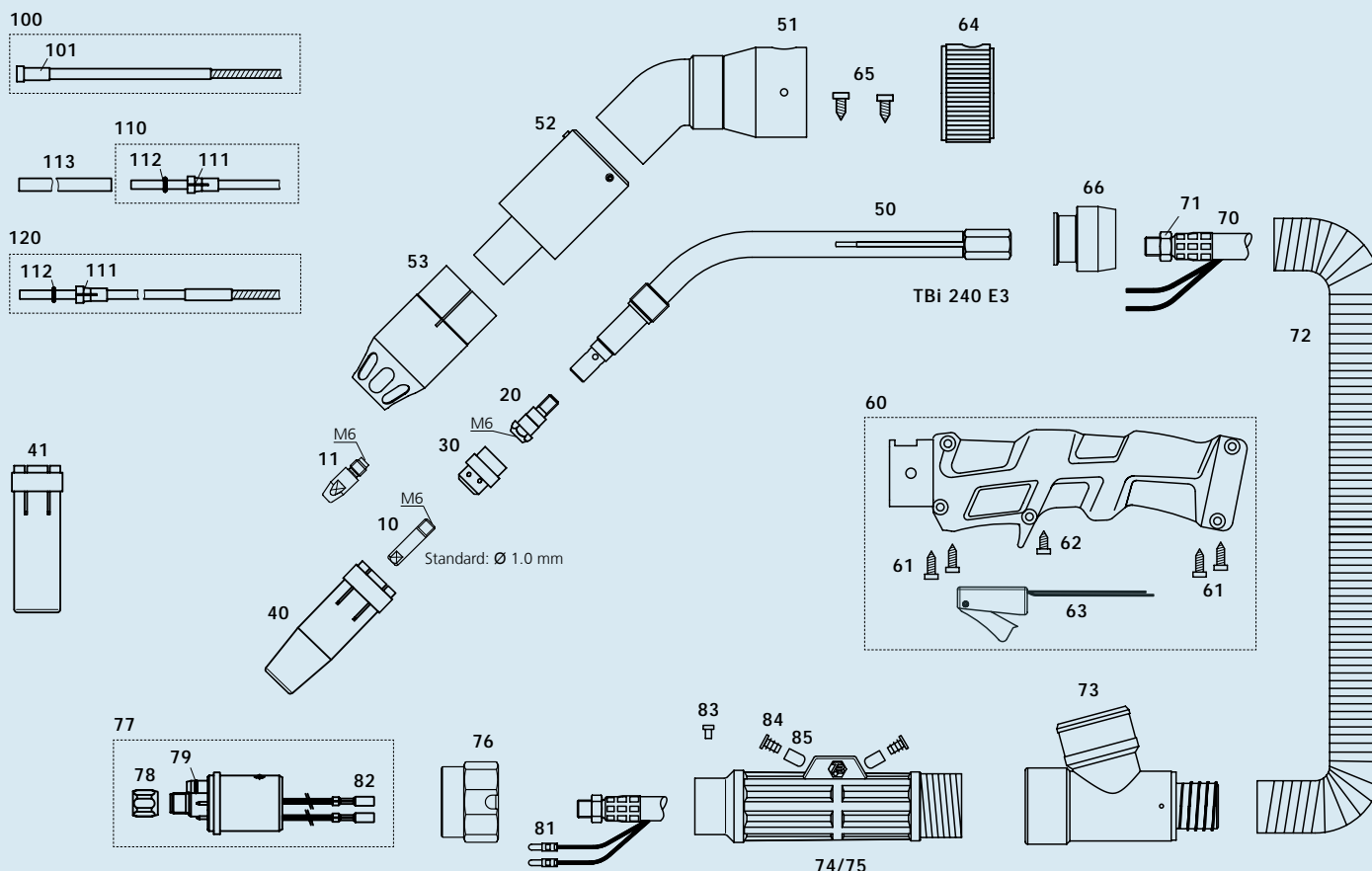
Connection Euro-Central connector,  
other connectors (e.g. CLOOS®, ESAB®,  
Lincoln®) available upon request.

Torch rating will be reduced when using pulsed-arc power sources.  
Custom lengths of the cable assembly are available upon request.

### Ordering Information

TBI 240 E3 ESG, 50° bent 212P3X13\_0\*

\* At the blank, please insert 3, 4 or 5 for a torch length of 3, 4 or 5 m.



Pos. Description

Part. No.

Pos. Description

Part. No.

### Contact tips

|      |                            |            |
|------|----------------------------|------------|
| ▶ 10 | Contact tip M6x25, Ecu     | 340P_1073* |
| 10   | Contact tip M6x25, CuCrZr  | 340P_3073* |
| 10   | Contact tip M6x25 Alu, Ecu | 341P_1073* |
| 11   | Contact tip M6x28, Ecu     | 340P_1069* |
| 11   | Contact tip M6x28, CuCrZr  | 340P_3069* |
| 11   | Contact tip M6x28 Alu, Ecu | 341P_1069* |

### Tip holders

|      |                         |            |
|------|-------------------------|------------|
| ▶ 20 | Tip holder M6 / L=26 mm | 342P006012 |
|------|-------------------------|------------|

### Gas diffusers

|      |                       |            |
|------|-----------------------|------------|
| ▶ 30 | Gas diffuser, red     | 112P002019 |
| 30   | Gas diffuser, ceramic | 112P002021 |
| 30   | Gas diffuser, white   | 112P102019 |
| 30   | Gas diffuser, brown   | 112P002022 |

### Gas nozzles

|      |                           |            |
|------|---------------------------|------------|
| ▶ 40 | Nozzle con. diam. 12.5 mm | 345P012012 |
| 41   | Nozzle cyl. diam. 17.0 mm | 345P011012 |

### Spare parts

|    |   |            |
|----|---|------------|
| 50 | Torch neck TBi 240 E3                             | 212P001004 |
| 51 | Outer tube TBi 240/241/5G/5W E3                   | 223P001010 |
| 52 | Nozzle support TBi 240 E3/241 E3                  | 223P001013 |
| 53 | Fume shroud TBi 240/241/5G/5W E3                  | 212P001001 |
| 60 | Handle cpl., blue, housed micro switch, TBi E2/E3 | 380P220606 |
| 61 | Self-cutting screw 3.5x14.0 mm                    | 100P797101 |
| 62 | Self-cutting screw, short, TBi E3                 | 100P008411 |
| 63 | Micro switch, housed, cpl.                        | 600P101046 |
| 64 | Air regulator large                               | 200P102001 |

|    |  |             |
|----|--|-------------|
| 65 | Screw for air regulator                          | 100P797103  |
| 66 | Handle fitting for 29 mm fume hose               | 252P102026  |
| 70 | Coaxial cable cpl., 25 sqmm                      | 359P2511_0* |
| 71 | Hex nut M10x1                                    | 101P002005  |
| 72 | Fume extraction hose D=29 mm                     | 306P293600  |
| 73 | T-joint cpl. for 29 mm fume hose                 | 200P101013  |
| 74 | Cable support housing (only with pos. 75)        | 701P102070  |
| 75 | Cable support cover (only with pos. 74)          | 701P102071  |
| 76 | Adaptor nut                                      | 701P001013  |
| 77 | Central adaptor ESG cpl., 2 poles, moveable pins | 701P001048  |
| 78 | Sleeve nut M10x1                                 | 701P002005  |
| 79 | O-ring 4.0x1.0 mm (gas nipple)                   | 365P100040  |
| 81 | Insulated connector, male, round                 | 375P000004  |
| 82 | Insulated connector, female, round               | 375P000003  |
| 83 | Slotted screw M4x6                               | 100P008401  |
| 84 | Square cap                                       | 200P102006  |
| 85 | Cap for water connector                          | 395P000004  |

### Wire guides

|       |  |             |
|-------|--|-------------|
| 100   | Liner w/ insulation blue (x.40 m) for wire 0.8-1.0 | 324P1545_4* |
| ▶ 100 | Liner w/ insulation red (x.40 m) for wire 1.0-1.2  | 324P2045_4* |
| 101   | Collet for liners dia. 4.5 mm                      | 330P025045  |
| 110   | Teflon liner blue (x.50 m) for wire 0.6-0.9        | 326P1540_5* |
| 110   | Teflon liner red (x.50 m) for wire 1.0-1.2         | 326P2040_5* |
| 111   | Collet for teflon and PA liner 4.0 mm              | 331P020040  |
| 112   | O-ring 3.50x1.50 mm (teflon liner)                 | 365P150035  |
| 113   | Support tube 5x4.4 mm, L=150 mm                    | 329P544150  |
| 120   | PA-Alu wire guide (x.50 m) for wire 1.0-1.2        | 328P2040_A* |

▶ = Standard equipment

\* At the blank, please insert suitable information for torch length or wire diameter, e.g. 08 for 0.8 mm or 3 for 3 m.

© 2007 TBi Industries GmbH. All rights reserved. Subject to change without notice. Warranty only when using original TBi consumables and spare parts. Excerpts and reprints not permitted. Nr. DOKP113512, 12/2007.

TBi Industries GmbH  
Ruhberg 14  
D-35463 Fernwald-Steinbach  
P.O. Box 67  
D-35461 Fernwald-Steinbach

Tel. + 49 6404 9171-0  
Fax. + 49 6404 9171-40  
Internet: [www.tbi-industries.com](http://www.tbi-industries.com)  
E-mail: [info@tbi-industries.com](mailto:info@tbi-industries.com)